



Round Container RCN

Reusable stainless steel container solutions
for liquids

Round Container RCN

Design features

Tank materials

Stainless steel 304L / 316L / 316Ti

Wall thicknesses

2.0 mm or 2.5 mm for the top, shell and bottom

Manhole

DN 400 or DN 457 in the top,
with screwed cover and eyebolts or tension ring

Seals

According to customer requirements and/or application

Transport frame

Galvanised or stainless steel, sprayed on request (stackable, suitable for handling by crane and all other pallet lifting equipment)

Equipment

- Safety-valve (pressure relief at 0.65 bar at the latest) and aeration vents in the top
- Outlet with ball-valve or butterfly-valve and either a tanker coupling, Kamlock coupling or sealing cap

Application

Chemicals/petrochemicals, waste disposal/recycling, food industry, paints/lacquers, plant construction

Approval

As a metal intermediate bulk container IBC, code 31A, for land and sea transport of hazardous liquid materials of packaging groups II and III, max. density of the filling goods is 2.0 kg/l.

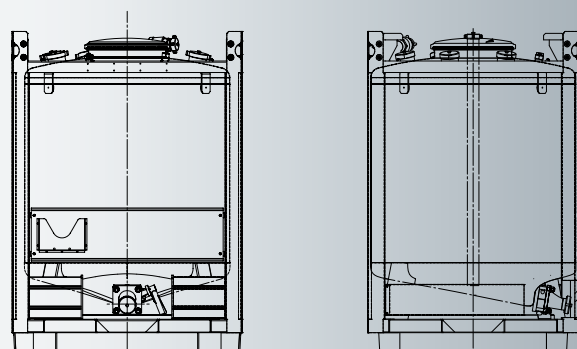
The design fulfils the test requirements for IBCs for the transport of dangerous materials contained in the following international standards:

- European Agreement on the International Carriage of Dangerous Goods by Road (ADR)
- Regulations for the International Carriage of Dangerous Goods by Rail (RID)
- International Maritime Dangerous Goods Code (IMDG Code)
- United Nations Recommendations on the transport of dangerous goods (UN)

Dimensions

Basic size 1200 x 1100 mm

| Type | Height (mm) |
|--|-------------|
| Max. density of the filling goods 2.0 kg/l | |
| RCN 500 | 1100 |
| RCN 600 | 1210 |
| RCN 700 | 1320 |
| RCN 800 | 1440 |
| RCN 900 | 1550 |
| RCN 1000 | 1670 |



- Standard IBC
- Heated containers
- Food containers
- Process containers
- Special containers in stainless steel
- Container accessories/spare parts

SCHÄFER WERKE GMBH

Pfannenbergstr. 1 · D-57290 Neunkirchen

Phone +49 (0) 2735/787-578

Fax +49 (0) 2735/787-580

ibc@schaefer-container-systems.com

www.schaefer-container-systems.com